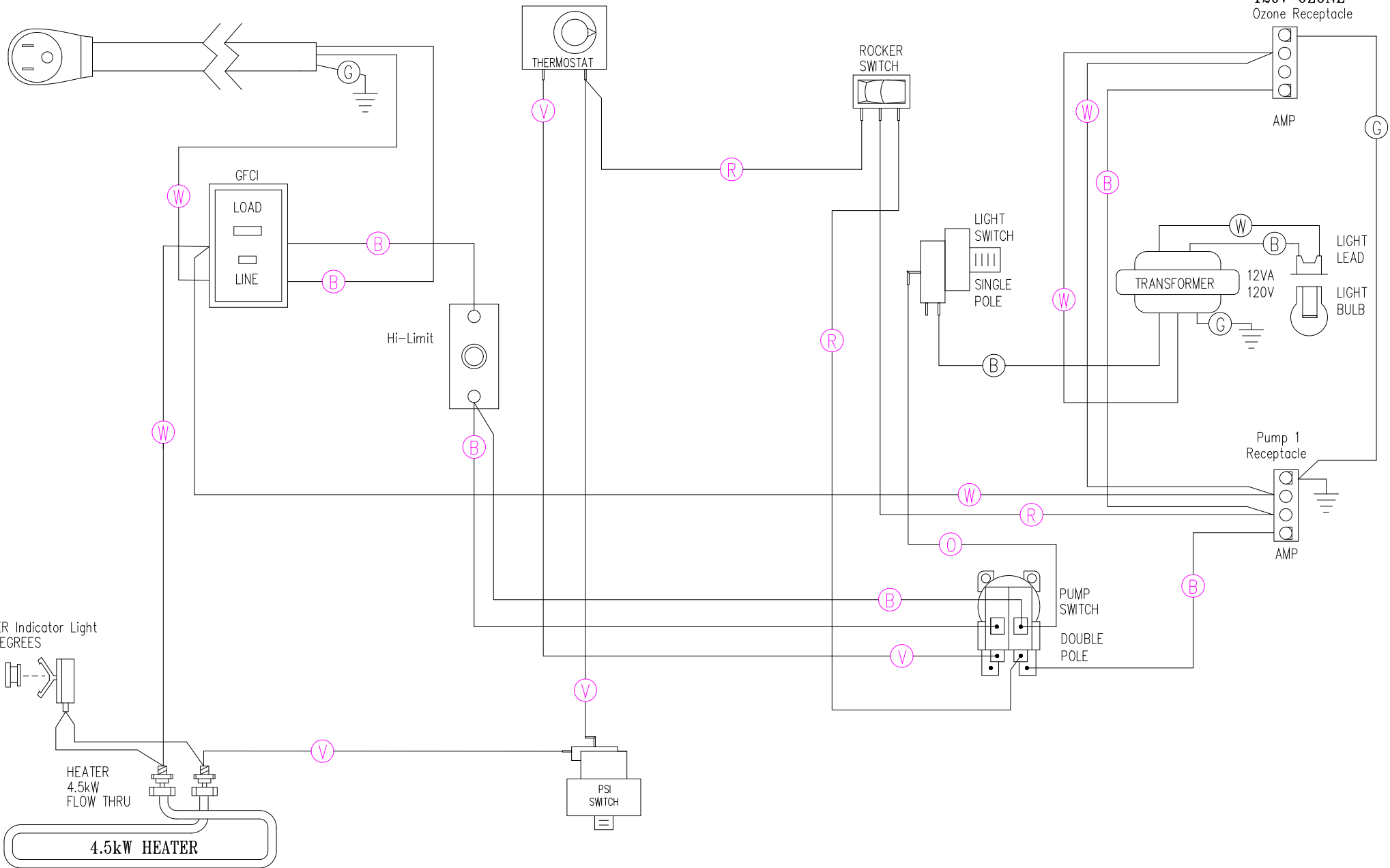


15 AMP POWER CORD



HYDRO-QUIP
CORONA, CA 909.273.7575

Manufacture Notes:

Dwg. No.
100TG-DEKQYZ-F

Drawn
TDM
Date
04.20.98

Rev
2

Wire Color Code

- | | |
|------------|------------|
| B - Black | G - Green |
| Br - Brown | Bl - Blue |
| R - Red | V - Violet |
| O - Orange | W - White |
| Y - Yellow | Gr - Grey |

Diagram No.
1152